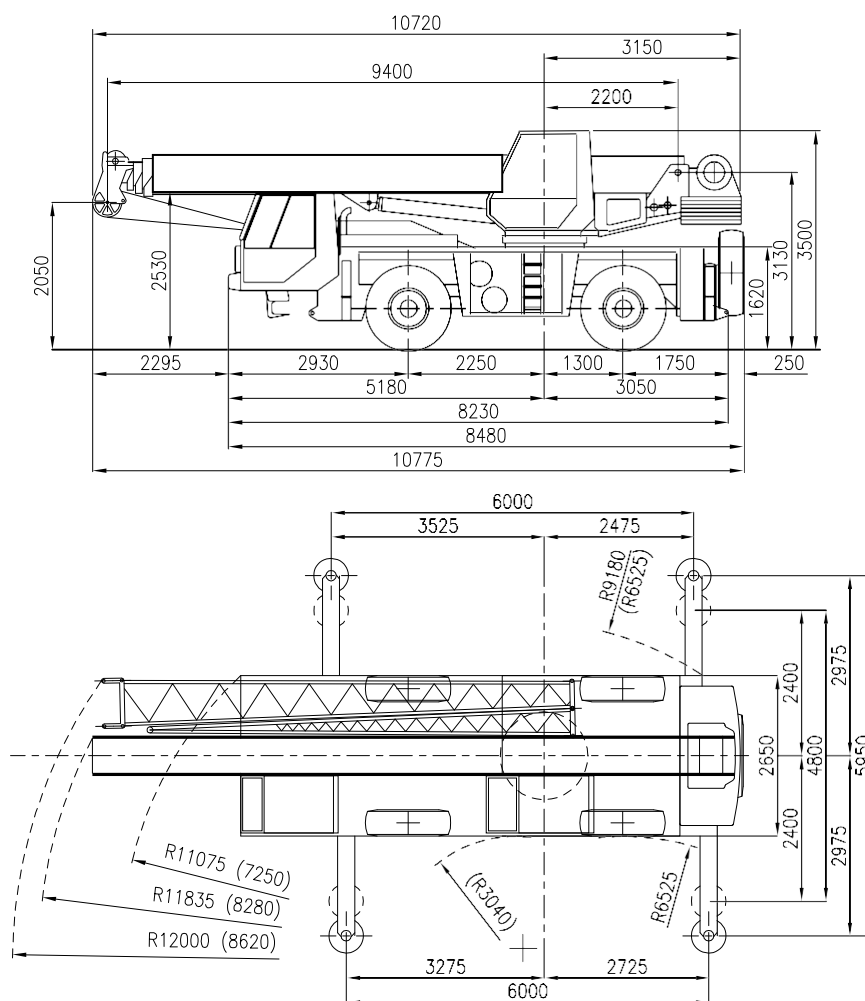
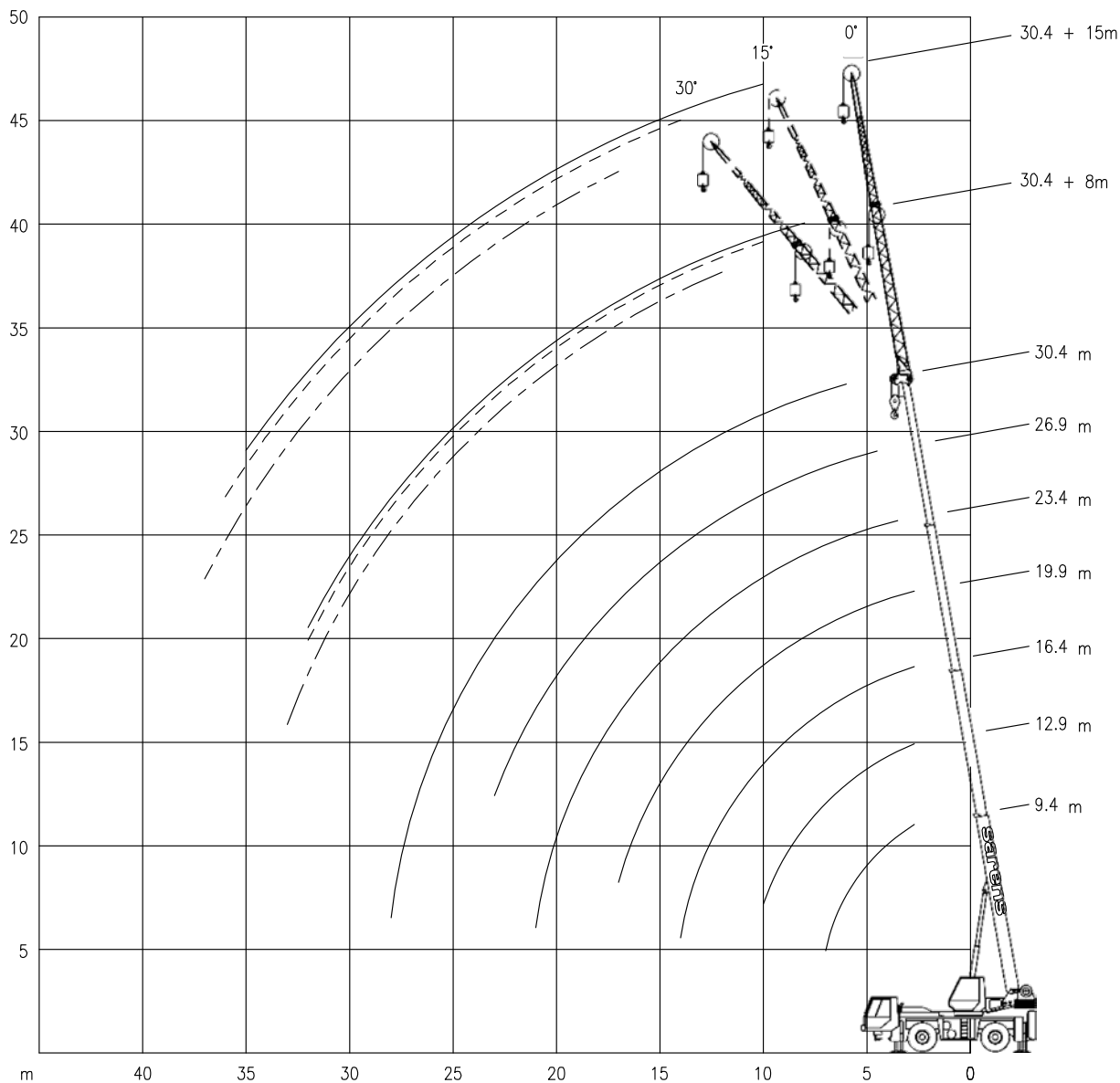


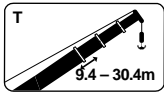
PPM ATT 400 35 TON



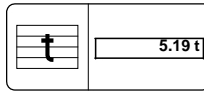
Axle load / Charge par essieu / Achslast / Aslast	:	2 x 12 t	(2.6 t)
Total weight / Poids total / Gesamtgewicht / Totaal gewicht	:	24 t	(2.6 t)
Tyres / Pneus / Bereifung / Banden	:	16.00 R 25	



Tõstevõime



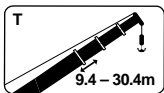
T



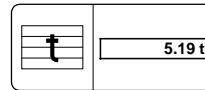
DIN
ISO

75%

m	9.4	12.9	16.4	19.9	23.4	26.9	30.4	9.4	12.9	16.4	19.9	23.4	26.9	30.4
	m	m	m	m	m	m	m	m	m	m	m	m	m	m
2.7	35.0	20.2	17.4	12.3	-	-	-	-	-	-	-	-	-	-
3.0	32.0	20.2	17.4	12.3	-	-	-	29.9	20.2	17.4	12.3	-	-	-
3.5	27.4	20.2	17.4	12.3	11.0	-	-	26.4	20.2	17.4	12.3	11.0	-	-
4.0	23.7	20.2	17.4	12.3	11.0	-	-	23.6	20.2	17.4	12.3	11.0	-	-
4.5	20.7	20.2	17.4	12.3	11.0	10.2	-	20.7	20.2	17.4	12.3	11.0	10.2	-
5.0	18.1	19.0	17.4	12.3	11.0	10.0	-	18.1	19.0	17.4	12.3	11.0	10.0	-
6.0	14.0	15.5	15.5	12.1	10.5	8.8	8.0	14.0	14.2	14.1	12.1	10.5	8.8	8.0
7.0	10.5	13.0	12.9	10.7	9.3	7.8	7.3	10.5	10.6	10.6	10.5	9.3	7.8	7.3
8.0	-	10.7	10.8	9.5	8.3	7.1	6.5	-	8.3	8.3	8.3	8.2	7.1	6.5
9.0	-	8.9	8.8	8.6	7.4	6.4	5.9	-	6.5	6.5	6.5	6.4	6.4	5.9
10.0	-	7.25	7.4	7.3	6.8	5.9	5.4	-	5.2	5.2	5.2	5.2	5.9	5.4
11.0	-	-	6.3	6.2	6.1	5.5	5.0	-	-	4.6	4.5	4.5	5.2	5.0
12.0	-	-	5.3	5.3	5.3	5.1	4.6	-	-	3.8	3.8	3.8	4.4	4.4
13.0	-	-	4.6	4.6	4.5	4.6	4.2	-	-	3.3	3.2	3.2	3.7	3.7
14.0	-	-	3.9	3.9	3.9	4.2	3.9	-	-	2.7	2.7	2.7	3.2	3.2
15.0	-	-	-	3.4	3.3	3.7	3.6	-	-	-	2.3	2.3	2.7	2.7
16.0	-	-	-	2.9	2.9	3.3	3.3	-	-	-	1.9	1.9	2.4	2.4
17.0	-	-	-	2.5	2.5	2.9	2.9	-	-	-	1.6	1.6	2.0	2.0
18.0	-	-	-	-	2.1	2.6	2.6	-	-	-	-	1.3	1.8	1.8
19.0	-	-	-	-	1.8	2.2	2.2	-	-	-	-	1.1	1.5	1.5
20.0	-	-	-	-	1.6	2.0	2.0	-	-	-	-	0.9	1.4	1.4
21.0	-	-	-	-	1.3	1.7	1.7	-	-	-	-	0.7	1.2	1.2
22.0	-	-	-	-	-	1.6	1.6	-	-	-	-	-	1.1	1.1
23.0	-	-	-	-	-	1.4	1.4	-	-	-	-	-	0.9	0.9
24.0	-	-	-	-	-	1.2	1.2	-	-	-	-	-	0.7	0.7
25.0	-	-	-	-	-	-	1.1	-	-	-	-	-	-	0.7
26.0	-	-	-	-	-	-	1.0	-	-	-	-	-	-	0.5
27.0	-	-	-	-	-	-	0.9	-	-	-	-	-	-	0.4
28.0	-	-	-	-	-	-	0.7	-	-	-	-	-	-	-



T

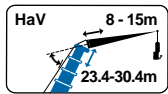


DIN
ISO

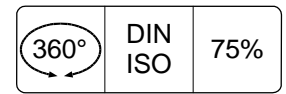
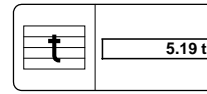
75%

m	0°							360°						
	9.4	12.9	16.4	19.9	23.4	26.9	30.4	9.4	12.9	16.4	19.9	23.4	26.9	30.4
m	t	t	t	t	t	t	t	t	t	t	t	t	t	t
3.0	9.3	9.1	9.1	-	-	-	-	6.5	6.4	6.4	-	-	-	-
3.5	8.2	8.2	8.1	-	-	-	-	5.6	5.5	5.4	-	-	-	-
4.0	7.3	7.3	7.2	-	-	-	-	4.8	4.7	4.7	-	-	-	-
4.5	6.6	6.5	6.5	-	-	-	-	4.2	4.1	4.1	-	-	-	-
5.0	6.0	5.9	5.8	-	-	-	-	3.7	3.6	3.5	-	-	-	-
6.0	4.9	4.9	4.8	-	-	-	-	2.9	2.8	2.7	-	-	-	-
7.0	4.1	4.1	4.0	-	-	-	-	2.3	2.2	2.1	-	-	-	-
8.0	-	3.4	3.4	-	-	-	-	-	1.7	1.7	-	-	-	-
9.0	-	2.9	2.9	-	-	-	-	-	1.3	1.3	-	-	-	-
10.0	-	2.5	2.4	-	-	-	-	-	1.0	1.0	-	-	-	-
11.0	-	-	2.1	-	-	-	-	-	-	0.7	-	-	-	-
12.0	-	-	1.8	-	-	-	-	-	-	0.5	-	-	-	-
13.0	-	-	1.5	-	-	-	-	-	-	-	-	-	-	-
14.0	-	-	1.3	-	-	-	-	-	-	-	-	-	-	-

Tõstevõime lisanoolega



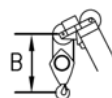
HaV



m	8.0 m (folding jib)				
	23.4 m		30.4 m		
	0°	0°	0°	15°	30°
5.0	5.6	-	-	-	-
6.0	5.6	4.0	-	-	-
7.0	5.2	4.0	-	-	-
8.0	4.9	4.0	3.3	-	-
9.0	4.6	4.0	3.3	-	-
10.0	4.3	3.8	3.3	3.2	-
11.0	4.0	3.5	3.3	3.0	-
12.0	3.8	3.3	3.2	2.8	2.5
13.0	3.6	3.1	3.0	2.6	2.4
14.0	3.4	2.9	2.8	2.5	2.3
15.0	3.3	2.7	2.7	2.4	2.2
16.0	3.1	2.5	2.5	2.3	2.1
17.0	3.0	2.4	2.4	2.2	2.0
18.0	2.6	2.3	2.3	2.1	1.9
19.0	2.3	2.2	2.2	2.0	1.8
20.0	2.1	2.1	2.0	1.9	1.8
21.0	1.8	2.0	1.9	1.8	1.7
22.0	1.6	1.9	1.8	1.7	1.7
23.0	1.5	1.7	1.6	1.7	1.6
24.0	1.3	1.5	1.5	1.6	1.6
25.0	1.1	1.4	1.3	1.4	1.4
26.0	1.0	1.3	1.1	1.2	1.3
27.0	0.8	1.1	1.0	1.1	1.2
28.0	0.7	1.0	0.9	1.0	1.1
29.0	0.5	0.9	0.8	0.8	0.9
30.0	-	0.8	0.7	0.7	0.8
31.0	-	0.7	0.6	0.6	0.7
32.0	-	0.6	0.5	0.5	0.6
33.0	-	-	-	0.5	0.5

m	15.0 m (folding jib)		
	30.4 m		
	0°	15°	30°
10.0	1.7	-	-
11.0	1.7	-	-
12.0	1.7	-	-
13.0	1.7	-	-
14.0	1.7	1.4	-
15.0	1.7	1.4	-
16.0	1.6	1.3	-
17.0	1.6	1.3	1.1
18.0	1.6	1.2	1.0
19.0	1.5	1.2	1.0
20.0	1.5	1.2	1.0
21.0	1.4	1.2	1.0
22.0	1.4	1.1	1.0
23.0	1.3	1.1	1.0
24.0	1.3	1.1	0.9
25.0	1.3	1.1	0.9
26.0	1.2	1.0	0.9
27.0	1.2	1.0	0.9
28.0	1.1	1.0	0.9
29.0	1.0	1.0	0.9
30.0	0.9	1.0	0.9
31.0	0.7	0.9	0.9
32.0	0.7	0.8	0.9
33.0	0.6	0.7	0.8
34.0	0.5	0.6	0.7
35.0	0.4	0.5	0.6
36.0	-	0.5	0.5
37.0	-	-	0.4

Hook Block / Crane hook Crochet mouflé / Crochet simple



Unterflasche / Hakengehänge Kraanblok / Kraanhaak

Capacity Capacité Tragfähigkeit Capaciteit	Number of sheaves Nombre de poulies Anzahl der Rollen Aantal schijven	Number of lines Nombre de brins Strangzahl Aantal parten	Weight Poids Gewicht Gewicht	"B"
SWL 35 t !*	4	8	400 kg	2.55 m
SWL 25 t !*	3	6	380 kg	2.55 m
SWL 15 t	1	3	212 kg	2.55 m
SWL 5 t	-	1	90 kg	1.60 m